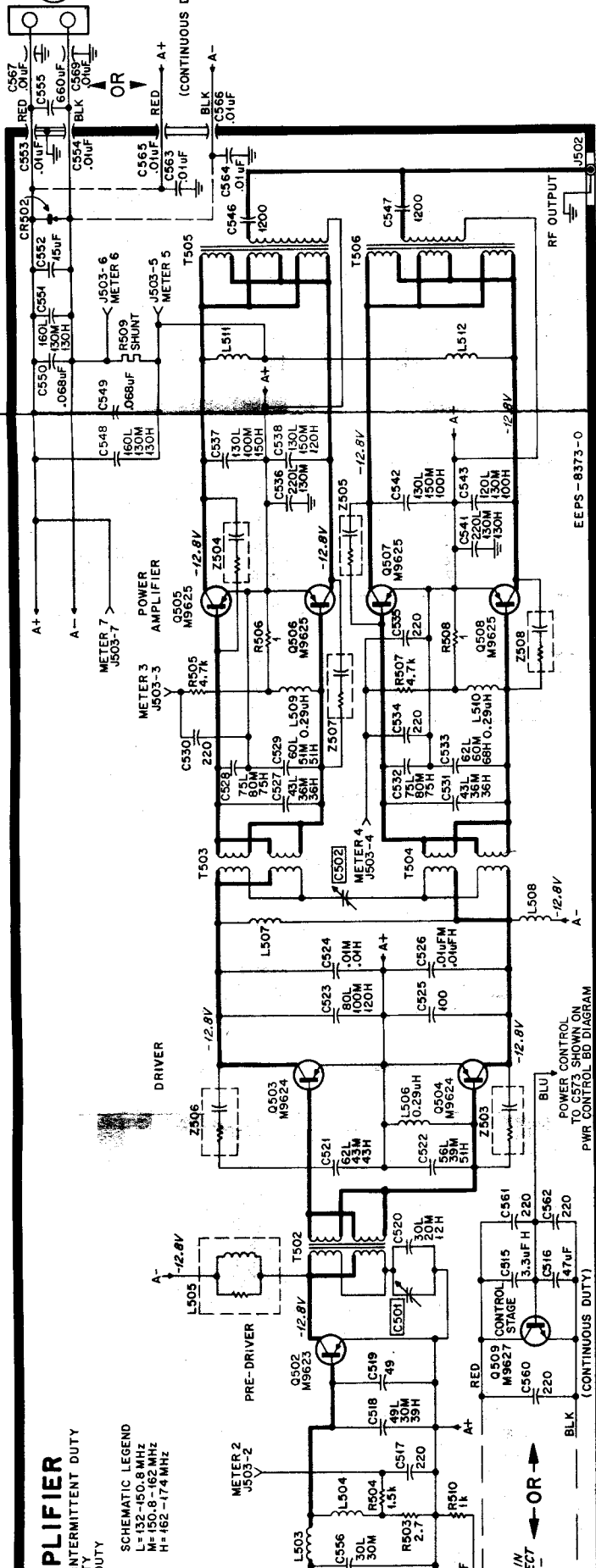


AMPLIFIER

INTERMITTENT DUTY
DUTY

SCHEMATIC LEGEND
L = 132-150.8 MHZ
L = 150.5-162 MHZ
H = 162-174 MHZ



POWER CONTROL TO C573 SHOWN ON PWR CONTROL BD DIAGRAM

EEPS-8373-0

POWER AMPLIFIERS

501. VOLTAGES DEPENDENT UPON AMOUNT OF CUTBACK FROM POWER CONTROL BOARD.
502. VOLTAGES MEASURED IN RESPECT TO A+ UNLESS OTHERWISE SPECIFIED.
503. UNLESS OTHERWISE SPECIFIED: CAPACITOR VALUES ARE IN PICOFARADS.
504. THE CONTROL STAGE TRANSISTOR IS BOARD-MOUNTED FOR INTERMITTENT DUTY OPERATION AND CHASSIS-MOUNTED FOR CONTINUOUS DUTY OPERATION.
505. C568 IS PART OF TRANSMITTER CHASSIS & HARDWARE KIT.

POWER AMPLIFIER

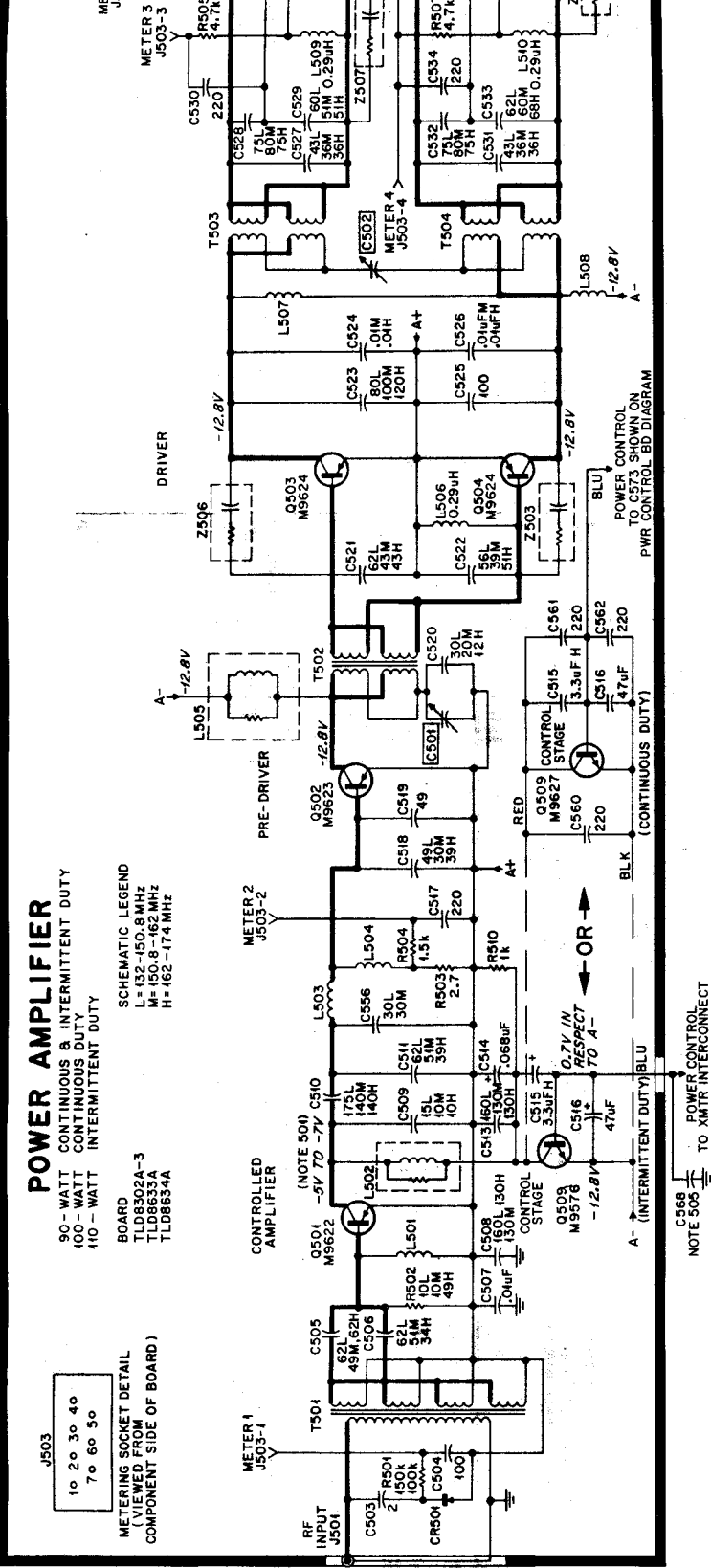
90 - WATT CONTINUOUS & INTERMITTENT DUTY
 100 - WATT CONTINUOUS DUTY
 110 - WATT INTERMITTENT DUTY

BOARD
 TL08302A-3
 TL08633A
 TL08634A

SCHEMATIC LEGEND
 L=132-150.8 MHZ
 M=150.8-162 MHZ
 H=162-174 MHZ

J503
 10 20 30 40
 70 60 50

METERING SOCKET DETAIL
 (VIEWED FROM
 COMPONENT SIDE OF BOARD)



POWER AMPLIFIERS

501. VOLTAGES DEPENDENT UPON AMOUNT OF CUTBACK FROM POWER CONTROL BOARD.
502. VOLTAGES MEASURED IN RESPECT TO A+ UNLESS OTHERWISE SPECIFIED.
503. UNLESS OTHERWISE SPECIFIED: CAPACITOR VALUES ARE IN PICOFARADS.
504. THE CONTROL STAGE TRANSISTOR IS BOARD-MOUNTED FOR INTERMITTENT DUTY OPERATION AND CHASSIS-MOUNTED FOR CONTINUOUS DUTY OPERATION.
505. C568 IS PART OF TRANSMITTER CHASSIS & HARDWARE KIT.