

POWER AMPLIFIER

90-WATT CONTINUOUS & INTERMITTENT DUTY
 100-WATT CONTINUOUS DUTY
 110-WATT INTERMITTENT DUTY

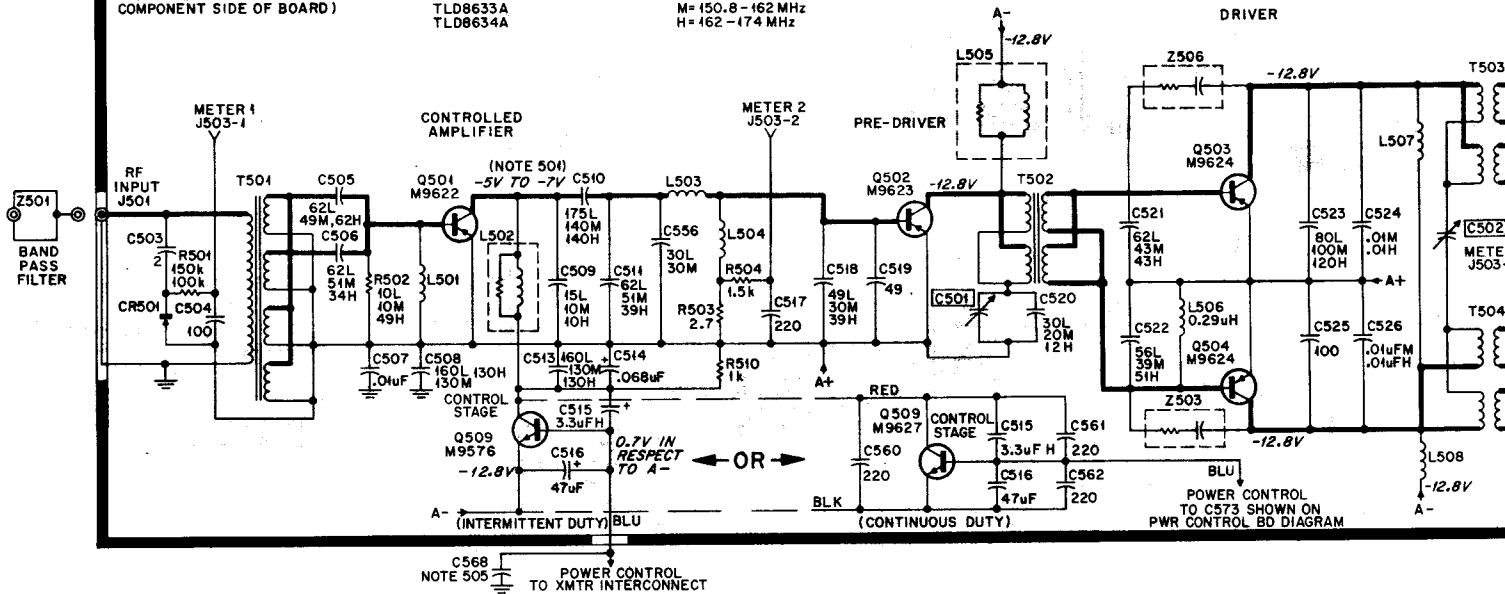
BOARD
 TLD8302A-3
 TLD8633A
 TLD8634A

SCHEMATIC LEGEND
 L=132-150.8 MHz
 M=150.8-162 MHz
 H=162-174 MHz

J503

10 20 30 40
 70 60 50

METERING SOCKET DETAIL
 (VIEWED FROM
 COMPONENT SIDE OF BOARD)



POWER AMPLIFIERS

501. VOLTAGES DEPENDENT UPON AMOUNT OF POWER CONTROL BOARD.
502. VOLTAGES MEASURED IN RESPECT TO A- UNLESS OTHERWISE SPECIFIED.
503. UNLESS OTHERWISE SPECIFIED: CAPACITOR VALUES ARE IN PICOFARADS.
504. THE CONTROL STAGE TRANSISTOR IS BOARD-MOUNTED FOR INTERMITTENT DUTY OPERATION AND CHASSIS-MOUNTED FOR CONTINUOUS DUTY OPERATION.
505. C568 IS PART OF TRANSMITTER CHASSIS KIT.

AMPLIFIER

INTERMITTENT DUTY

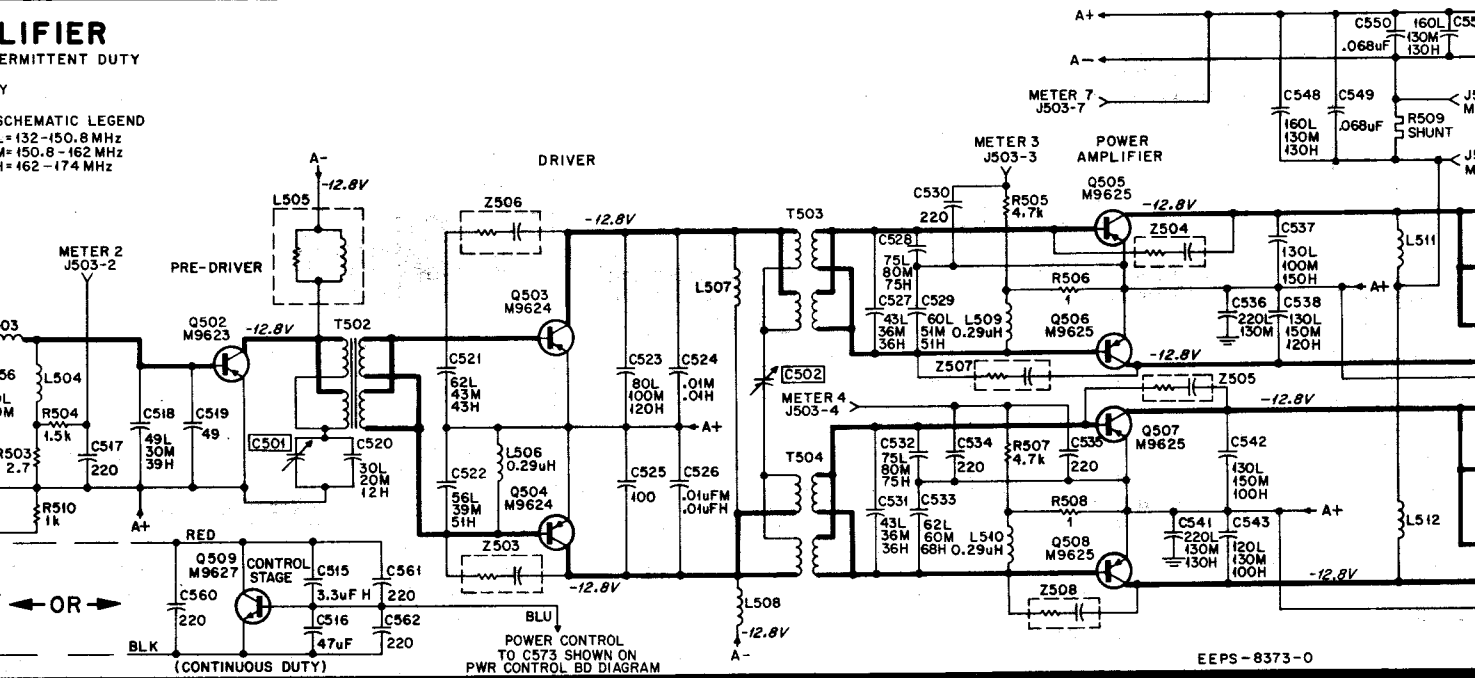
Y

SCHEMATIC LEGEND

f = 132 - 150.8 MHz

f = 150.8 - 162 MHz

f = 162 - 174 MHz

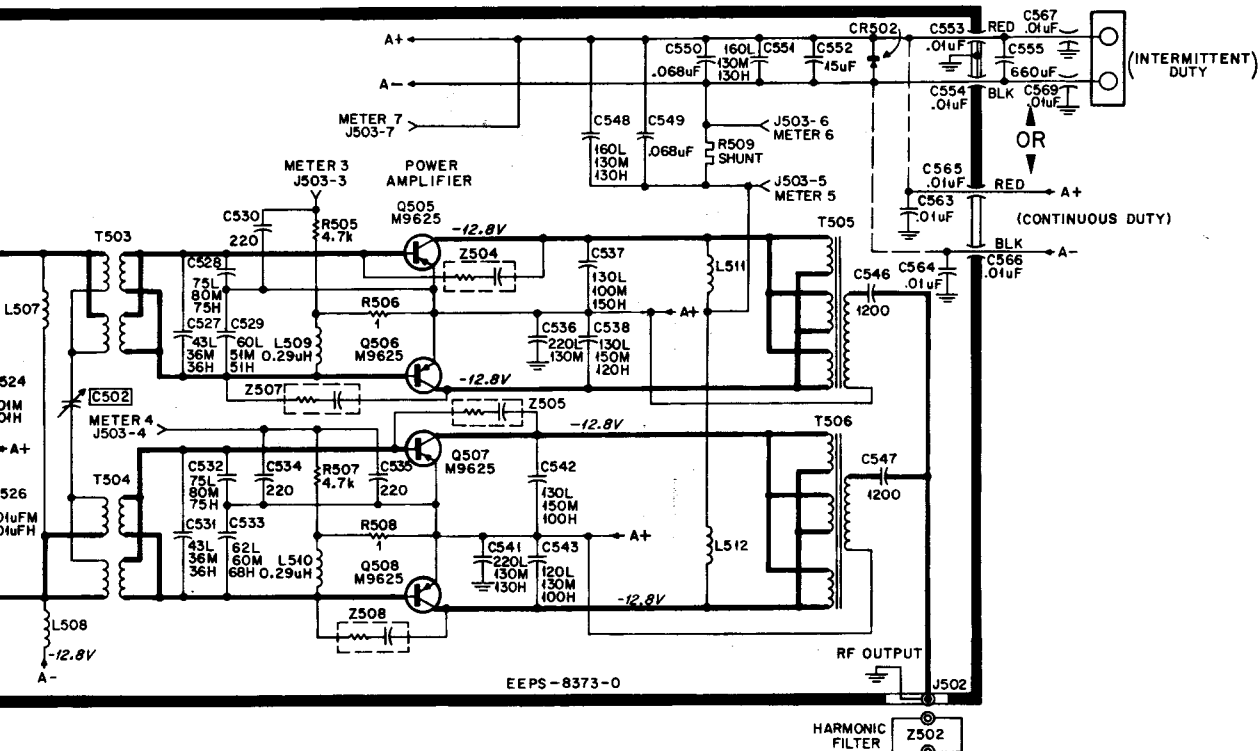


EEPS-8373-0

POWER AMPLIFIERS

501. VOLTAGES DEPENDENT UPON AMOUNT OF CUTBACK FROM POWER CONTROL BOARD.
502. VOLTAGES MEASURED IN RESPECT TO A+ UNLESS OTHERWISE SPECIFIED.
503. UNLESS OTHERWISE SPECIFIED: CAPACITOR VALUES ARE IN PICOFARADS.
504. THE CONTROL STAGE TRANSISTOR IS BOARD-MOUNTED FOR INTERMITTENT DUTY OPERATION AND CHASSIS-MOUNTED FOR CONTINUOUS DUTY OPERATION.
505. C568 IS PART OF TRANSMITTER CHASSIS & HARDWARE KIT.

EPS-8362-0



AMOUNT OF CUTBACK
RD.
SPECT TO A+ UNLESS

ED:
MICOFARADS.
STOR IS BOARD-
T DUTY OPERATION
CONTINUOUS DUTY

ER CHASSIS & HARDWARE

EPS-8362-O

PARTS LIST SHOWN ON
BACK OF THIS DIAGRAM

90/100/110 W Power Amplifier
Schematic Diagram
Motorola No. 63P81015E16-O
3/17/72-UP

90/100/110 W POWER AMPLIFIER