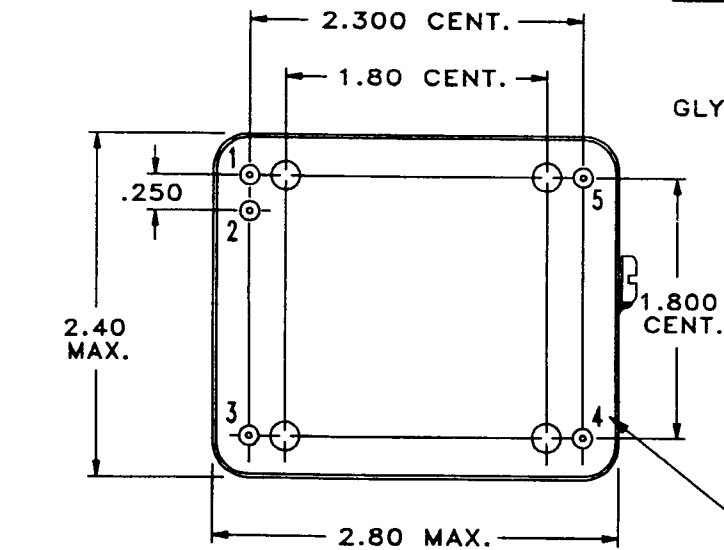
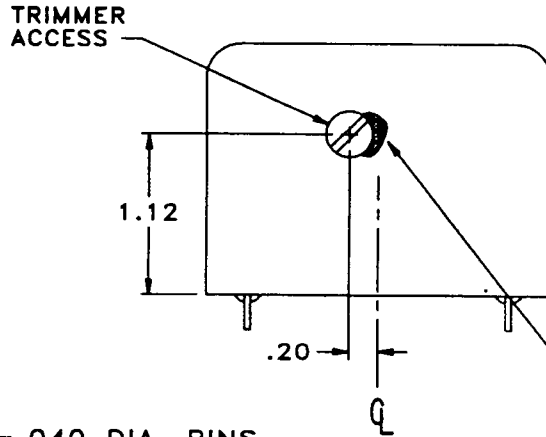
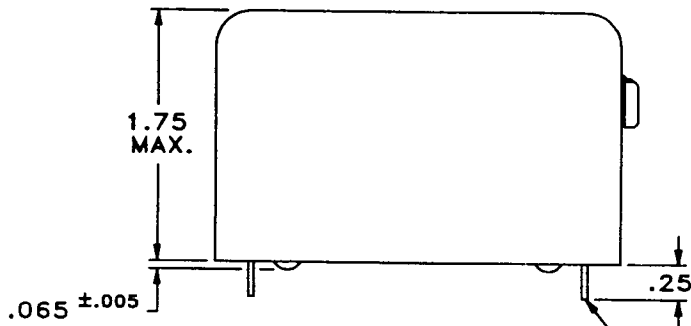


PIN CONNECTIONS	
PIN	FUNCTION
1	R. F. OUTPUT
2	0 VOLTS & CASE
3	+VDC OSCILLATOR
4	0 VOLTS & CASE
5	+VDC OVEN



.040 DIA. PINS  
(5 PLACES)

GLYPTOL (GC RED GLPT INSULATING VARNISH)

NUMBERS FOR REFERENCE ONLY  
(NOT STAMPED ON UNIT)

FORM NO. 120-081A



OSCILLATORS

CHARLOTTESVILLE, VIRGINIA

NAME: **OUTLINE DRAWING**  
(OCXO 127 SERIES)

CODE I.D. NO.	SCALE	DWN. BY	DATE	APPR'D.
31785	.75:1	LMH	08-11-90	TST

REVISION	DESCRIPTION	BY	DATE
A	.25 PIN LENGTH WAS .375, REDRAWN AND GLYPTOL NOTE	WEW	06-16-92
A	ADDED	WEW	06-16-92
LET	REVISION	BY	DATE

TOLERANCES	
UNLESS OTHERWISE SPECIFIED:	
ANGLES: ±1 DEGREE	
FRACTIONS: ±1/32 INCH	
DECIMALS: .XX ±.015, .XXX ±.010	
MAT'L: COLD ROLLED STEEL	
FINISH: BRIGHT NICKEL	
MARK: LABEL	

DWG. No.: 125-353  
SHT. 1 OF 1